

Earth Thermal Storage Electric Radiant Heating

SMART HEAT

1409 6th Avenue SE # 5
Aberdeen, SD 57401

800.656.1291
605.725.1295
605.725.1296 (Fax)

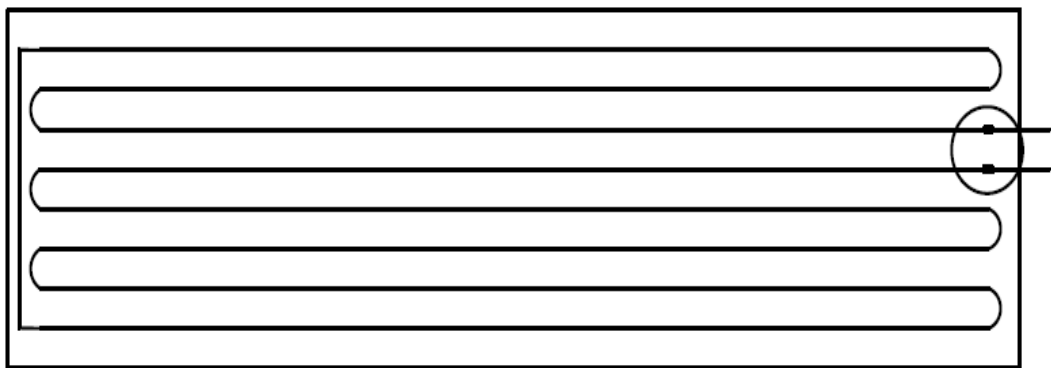
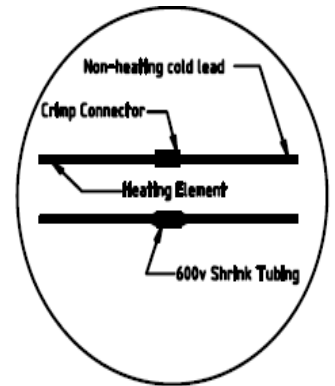
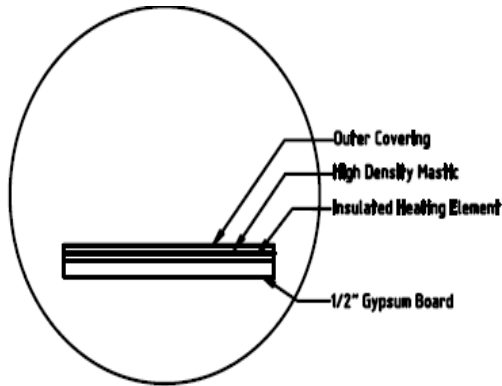
www.thesmartestheat.com
SmartHeat@nvc.net

representing



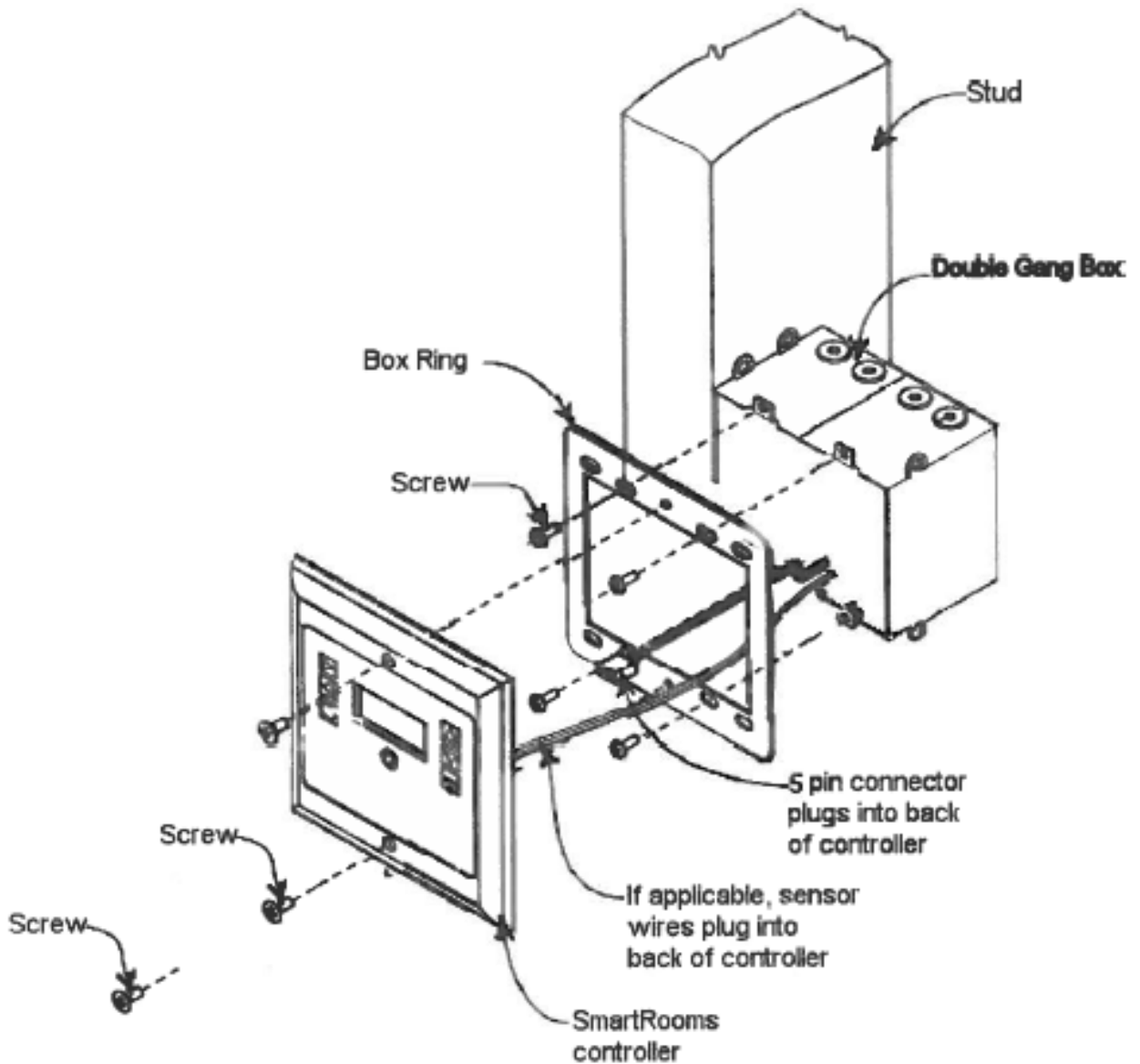
670 Wilsey Road, Unit 6
Fredericton, NB Canada E3B 7K4
www.thermaray.com
866-457-4600

Earth Storage (ES) Heating Panels



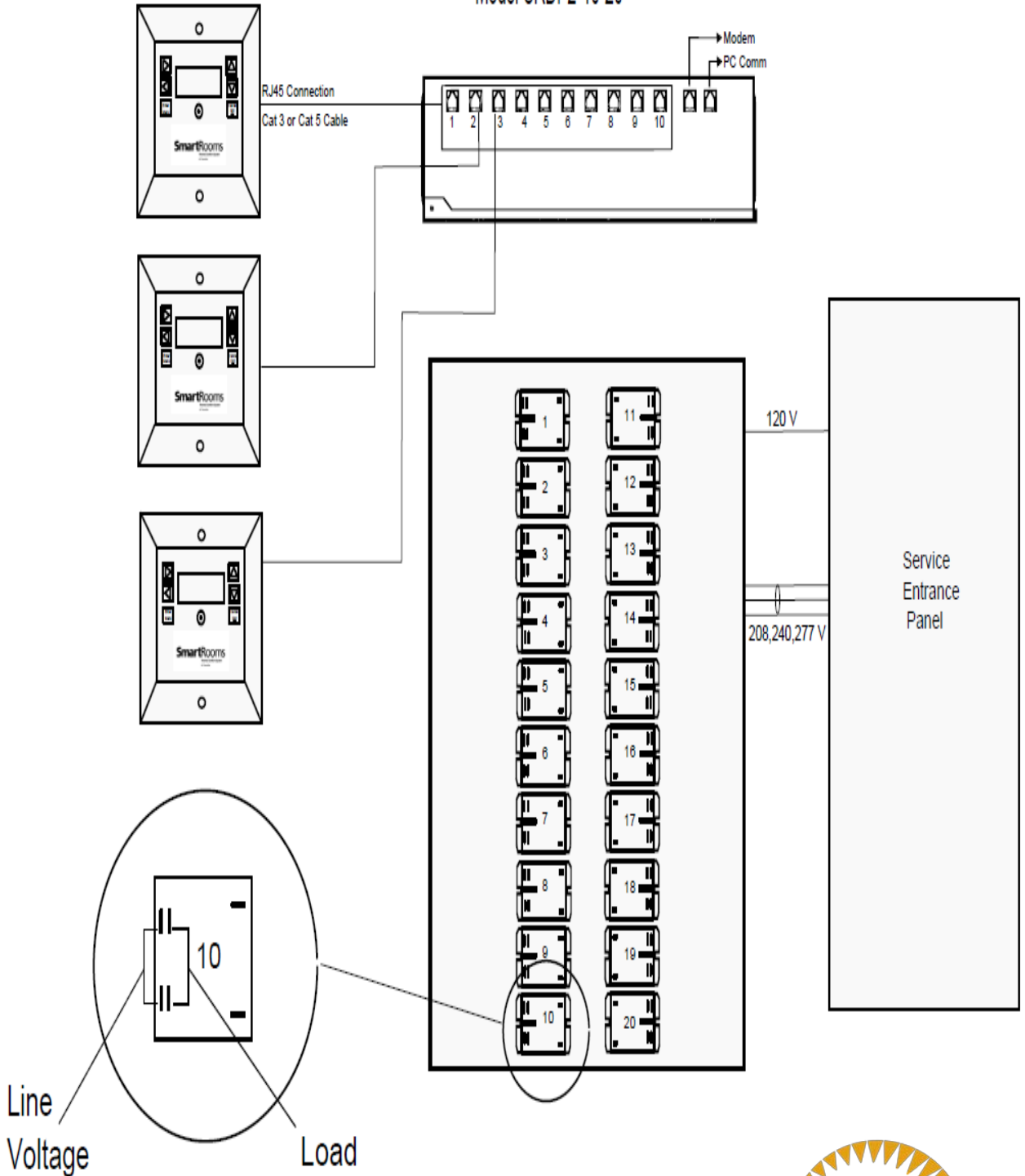
SKU	Volts	Watts	Width	Length
ES 5C300-208	208	300	18"	5'
ES 7C515-208	208	515	18"	7'
ES 8C565-208	208	565	18"	8'
ES 4C280-240	240	280	18"	4'
ES 5C320-240	240	320	18"	5'
ES 7C460-240	240	460	18"	7'
ES 9C670-240	240	670	18"	9'
ES 5C300-277	277	300	18"	5'
ES 7C460-277	277	460	18"	7'
ES 8C540-277	277	540	18"	8'

SR-LV Low Voltage Controller



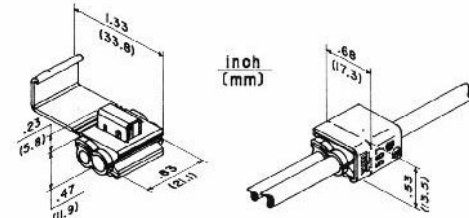
SR-DP 10-20 Distribution Panel

Model SRDP2-10-20



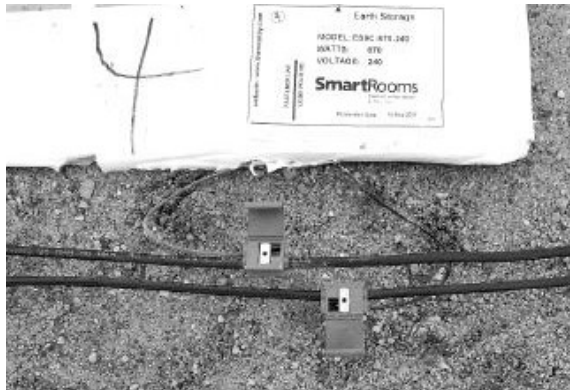
Installation Instructions

1. Using the 3M 567 Connectors, connect the main feed to the individual panel as is illustrated below.



INSTRUCTIONS
Use only with insulated wire. Do not strip insulation.

1. Slip circuit (run) wire into side slot. Insert the wire up to stop making sure the wire is visible in the window.
2. Make connection with 9" electrician's (lineman's) pliers, by driving "U" contact down flush with top of connector.
3. Close hinged cover until it locks.



2. Open the hinged closure being careful not to contaminate gel surfaces. Place the feed wire and 3M connections into the gel Endcap.



NOTE: All wires (supply and cold leads) must be inserted at the ends of the gel cap.

3. Compress the gel closure over the 3M connectors making sure that both locking snaps are engaged. Inspect the Endcap. A properly installed enclosure will have both snaps securely locked. Gel will be visible at both ends of the enclosure.

4. Fasten the strap on the PC-3 Endcap using the screw provided making sure to install the drywall screw in the correct fastening position as shown on the panel label.





Scotchlok™ 567

Self-Stripping Electrical Tap Connectors



Data Sheet

Application

Use 3M™ Scotchlok™ Tap Connector 567 to electrically connect a (tap) wire end to a through (run) wire and insulate the connection.

Wire Range

(Tap) 18-14 AWG (.75-1.5 mm²):

(Run) 12-10 AWG (4.0 mm²)

Solid or stranded copper conductors. For use with common thermoplastic insulated wires such as: T, TF, TFF, TFN, TFFN, AWM, TEW, SAE-GPT with a maximum insulation diameter of (tap) .145 inches (3.5 mm) run .190 inches (4.8 mm).

Maximum recommended current for general purpose applications:

18 AWG - 7 AMPS, 16 AWG - 10 AMPS,

14 AWG-15 AMPS, 12 AWG-20 AMPS,

10 AWG-25 AMPS.

Construction

U-contact - Tin plated brass, .03 in. (.8 mm) thick

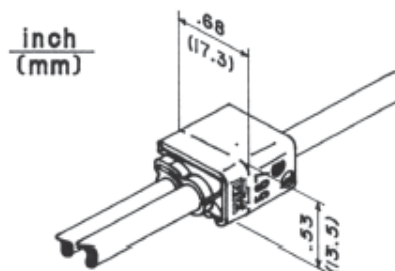
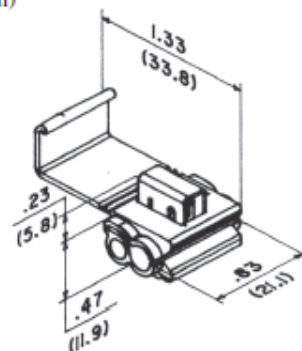
Insulator - Polypropylene

Color - brown

UL 94-V-2

Weight

.0067 lb. (3.0 gm)



Recommended Installation Tools

9" Linemans Pliers

3M™ Crimping Tool No. E-9BM

Installation Instructions

⚠ WARNING

Turn power off before installing or removing terminal. All electrical work should be done according to appropriate electrical codes.

1. Place unstripped run wire inside run channel.
2. Insert unstripped tap wire completely and check it's position in the inspection port.
3. Hold tool perpendicular to the wires and make the connection by driving the u-contact down flush with the top of the plastic insulator.
4. Close hinged top cover until latched.

Regulatory Agencies

UL Listed - Tested per UL Standard 486C

UL file No. E23438

CSA certified - CSA Std. C22.2 No. 0. 188-MI983

CSA File No. LR15503, LR32411

(Voltage rated at 600 volts maximum, building wire:

1000 volts maximum, signs, fixtures and luminaires.

Operating Temperature: 105°C.)

Engineering Specification

Self-Stripping Electrical Connector (as manufactured by 3M, part No. 567) capable of connecting a tap wire 18-14 AWG solid or stranded copper to a run wire solid or stranded copper. Connector shall be UL Listed and CSA Certified for 600 volts maximum, building wire: 1000 volts maximum, signs, fixtures and luminaires, and temperature rated 105°C maximum.

3M and Scotchlok are trademarks of 3M Company.



is a trademark of Underwriters Laboratories.



is a trademark of Canadian Standards Association.

Important Notice

All statements, technical information, and recommendations related to 3M's products are based on information believed to be reliable, but the accuracy or completeness is not guaranteed. Before using this product, you must evaluate it and determine if it is suitable for your intended application. You assume all risks and liability associated with such use. Any statements related to the product which are not contained in 3M's current publications, or any contrary statements contained on your purchase order shall have no force or effect unless expressly agreed upon, in writing, by an authorized officer of 3M.

Warranty: Limited Remedy: Limited Liability.

This product will be free from defects in material and manufacture for a period of one (1) year from the time of purchase. **3M MAKES NO OTHER WARRANTIES INCLUDING, BUT NOT LIMITED TO, ANY IMPLIED WARRANTY OF MERCHANTABILITY OR FITNESS FOR A PARTICULAR PURPOSE.** If this product is defective within the warranty period stated above, your exclusive remedy shall be, at 3M's option, to replace or repair the 3M product or refund the purchase price of the 3M product. **Except where prohibited by law, 3M will not be liable for any indirect, special, incidental or consequential loss or damage arising from this 3M product, regardless of the legal theory asserted.**



Electrical Markets Division

6801 River Place Blvd.
Austin, TX 78726-9000
800-626-8381
Fax 800-828-9329
www.3M.com/electrical



Recycled paper
40% Pre-consumer waste paper
10% Post-consumer waste paper

Litho in USA
© 3M 2006 78-8126-5860-3-B